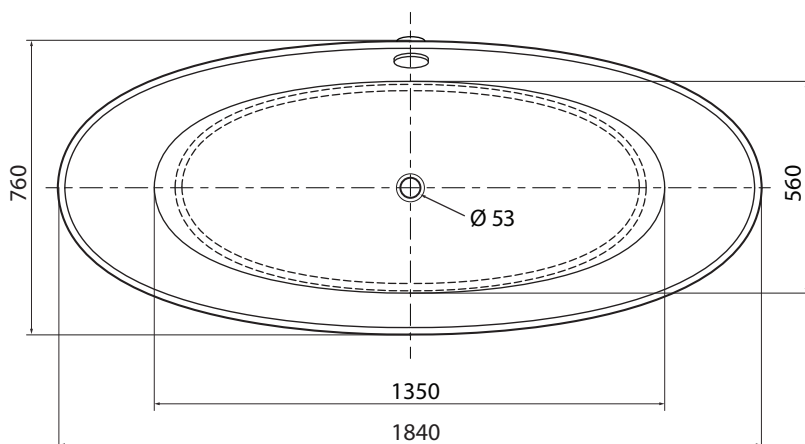
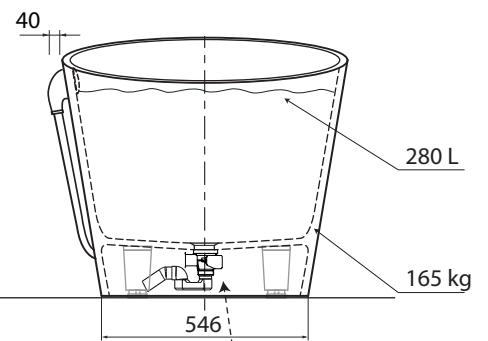
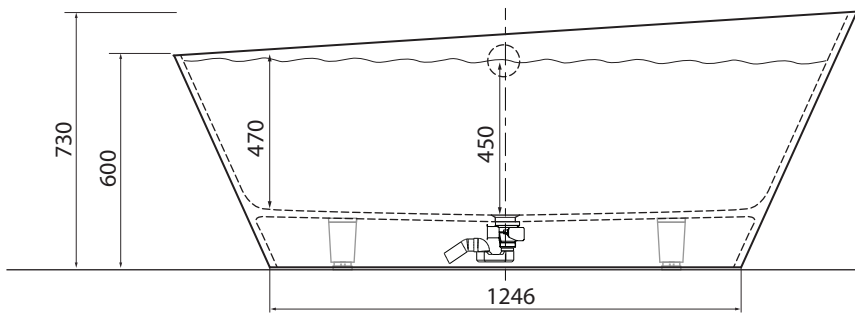


# Carmenta

aura™



Product size is subject to a size variance of +/- 0,5 %